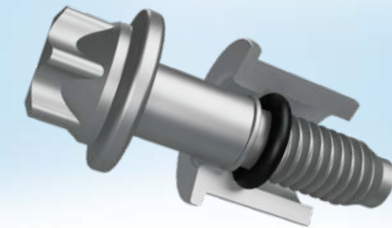




shutterstock.com ID: 604867456 | © Jensen

**ARNOLD**<sup>®</sup>  
BlueFastening Systems



## CapTec<sup>®</sup>

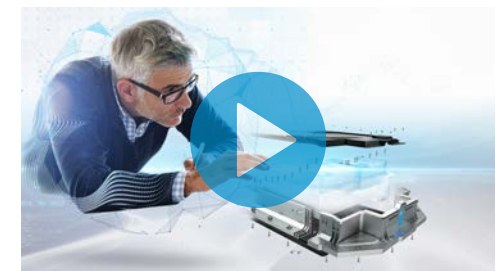
### Preassembled fastening systems for increased efficiency

#### The market's demands

- + Reduce assembly time
- + Reduce assembly costs
- + Reduce supplier base
- + Reduce small parts management
- + Simplify assembly process
- + Reduce overall fastening costs
- + Choice of screw design
- + Requirements for press-out force, assembly clearance and protrusion of the screw

#### ARNOLD provides the solution

**CapTec<sup>®</sup>**  
Screw and sleeve  
with and without  
additional part



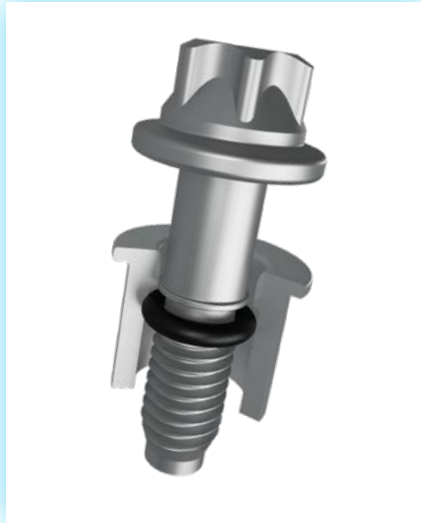
ARNOLD UMFORMTECHNIK provides an extensive selection of videos and animations. Just scan the QR code above or visit our website and click on our Youtube channel ARNOLD TV.

[www.arnold-fastening.com](http://www.arnold-fastening.com)

# CapTec®

## Screw and sleeve

WITH ADDITIONAL PART



WITHOUT ADDITIONAL PART



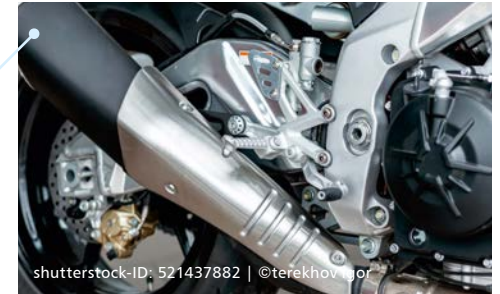
# CapTec®

## Area of application & customer applications

CapTec® is used in many areas, primarily in the automotive industry but also in machine construction.

The advantages of CapTec® are particularly evident in overhead screwing where the preassembled fastening system makes handling a lot easier.

- Cylinder head protective cover
- Screw connection for oil sump
- Oil filter modules
- Air filter modules
- Suction modules
- Control units
- Mechanical engineering



### The technical advantages of CapTec®

- High degree of pre-manufacturing
- High assembly reliability
- Integral tolerance compensation
- Joining multi-material mixes
- Thread protected during shipment
- High load resistance of fastening

### The commercial advantages of CapTec®

- Reducing assembly times
- Reducing the number and handling of parts
- Efficient solutions for the requirements profile
- System from a single source
- Pre-manufactured component assembly



Learn more  
about CapTec®, pre-assembled fastening systems,  
and its applications  
[www.arnold-fastening.com](http://www.arnold-fastening.com)