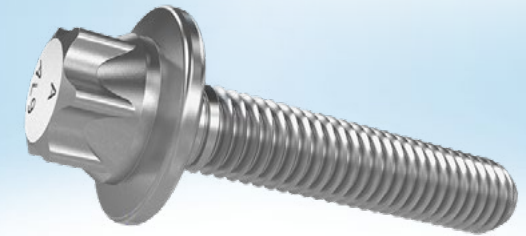




Shutterstock ID: 1042568218 | © Jenson

**ARNOLD**<sup>®</sup>  
BlueFastening Systems



# Alufast<sup>®</sup>

## Light and easy fastening

### The market's demands

- + Lightweight metals are in increasing use in the automotive industry
- + Stricter CO<sub>2</sub> reduction requirements
- + Optimising installation space
- + Reducing weight
- + Greater call for optimum material pairings
- + Reducing overall fastening costs
- + Electrification
- + Flexibility

ARNOLD provides the solution

## ALUFAST<sup>®</sup>

### Aluminium screws



ARNOLD UMFORMTECHNIK provides an extensive selection of videos and animations. Just scan the QR code above or visit our website and click on our Youtube channel ARNOLD TV.

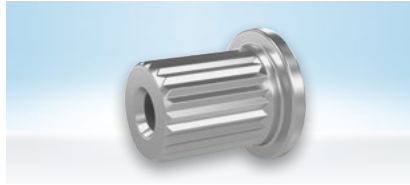
[www.arnold-fastening.com](http://www.arnold-fastening.com)

# Alufast® Product line

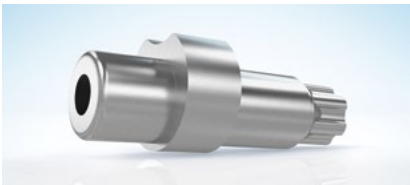
Aluminium screws  
with Alufast®



Aluminium inserts  
with Eco-Sert®



Formed aluminium parts  
with Conform® Al



Pre-assembled aluminium parts  
with Captec®



## Technical advantages of Alufast®

- + Reduces screw-in depth
- + Weight-saving
- + The density of aluminum
- + High assembly reliability
- + Maintains pre-load force
- + Very good corrosion resistance
- + Fastening solutions for lightweight metals

## Commercial advantages of Alufast®

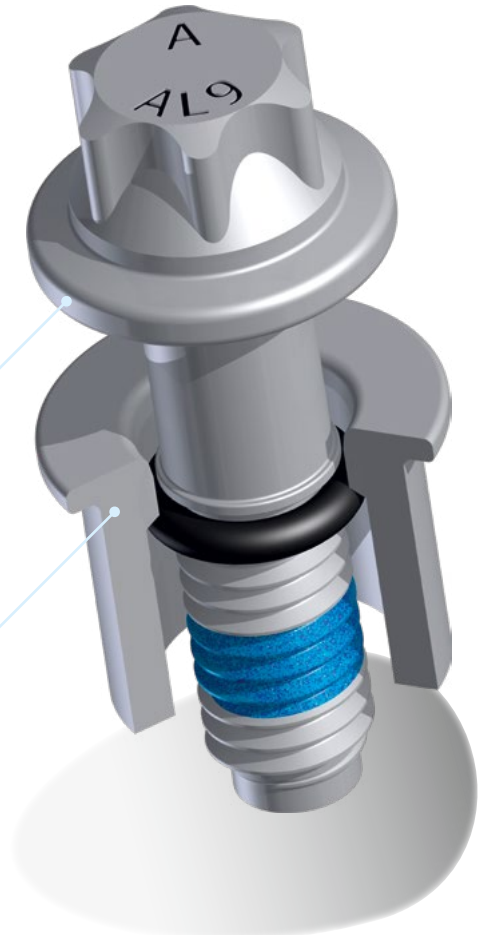
- + Saving on additional corrosion-protection measures
- + Secondary savings effects
- + Reducing assembly times
- + Reducing overall fastening costs

# Alufast® Advantages

Material  
Weight  
Fastening properties  
Operating safety  
Thermal resistance

Corrosion resistance  
Screw assembly  
Repeated screw assembly  
Design options and geometry  
Manufacturing feasibility

Component consisting of screw (EN AW 6056) and form part (EN AW 5754), securely assembled with an O-ring.



[Learn more](#)  
about Alufast®,  
aluminium screws, and its  
applications.

[www.arnold-fastening.com](http://www.arnold-fastening.com)