



PIAS[®] | RIVTEX[®]

Pierce-clinch nuts for higher torque requirements

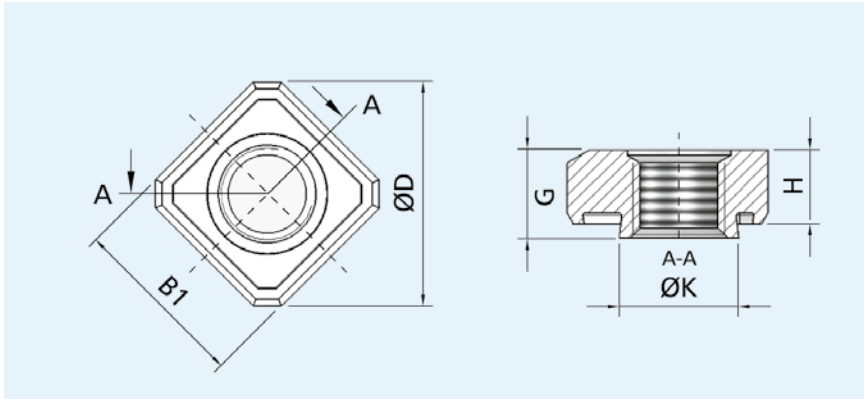
- ⊕ self-piercing
- ⊕ high level of process reliability
- ⊕ flush-mounted processing
- ⊕ processing can be manual, semi or fully automated
- ⊕ self-locking thread possible

➔ www.arnold-fastening.com



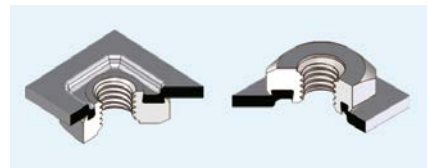
PIAS® KP the classic pierce-clinch nut

Note: Clamping area bigger than 1,75 mm please contact the manufacturer, if a preholed processing is recommended or a Nut could be used directly.



Technical data

Metal thickness	Steel
	0,6 – 2,00 mm
	Aluminium
	0,6 – 2,50 mm
Strength class	8 and 10



Dimensions for PIAS® KP – Pierce-clinch nuts

		Metal thickness	B1	ØD	G	H	ØK
			±0.08	min.	±0.18	±0.18	
M5	KP 5S	0.6 – 1.5	11.40	14.40	5.50	5.00	7.12 ±0.08
M5	KP 5H	1.2 – 2.0	12.72	15.80	6.00	4.80	8.42 ±0.08
M6	KP 6S	0.6 – 1.3	12.72	15.80	5.50	5.00	8.42 ±0.08
M6	KP 6T	0.8 – 1.5	12.72	15.80	5.70	5.00	8.42 ±0.08
M6	KP 6H	1.2 – 2.0	12.72	15.80	6.00	4.80	8.42 ±0.08
M8	KP 8S	0.6 – 1.3	15.52	19.50	7.00	6.50	10.42 ±0.08
M8	KP 8T	0.9 – 1.75	15.52	19.50	7.30	6.50	10.42 ±0.08
M8	KP 8H	1.2 – 2.0	15.52	19.50	7.70	6.50	10.42 ±0.08
M10	KP 10S	0.8 – 1.5	16.80	20.80	8.20	7.50	11.92 ±0.08
M10	KP 10H	1.5 – 2.0	18.80	23.60	10.00	8.80	13.30 ±0.10
	KP 7/16"	1.5 – 2.0	18.80	23.60	10.00	9.10	13.30 ±0.10

Surface	Thread tolerance
Bright	6 G
Zinc coated transparent	6 H
Zinc / nickel	6 H
Galvanised, thick coat passivated	6 H

The benefits of PIAS® KP Pierce-clinch nuts

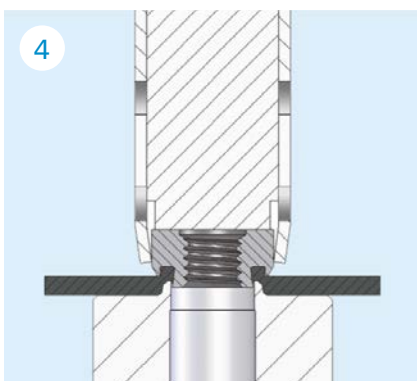
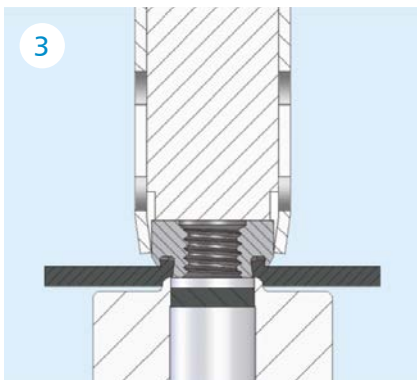
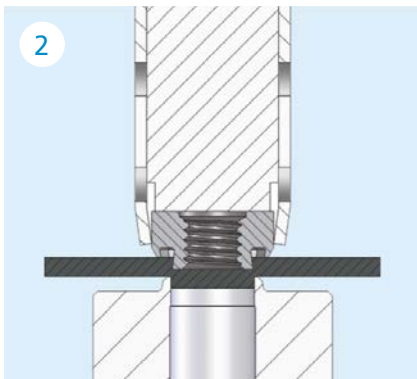
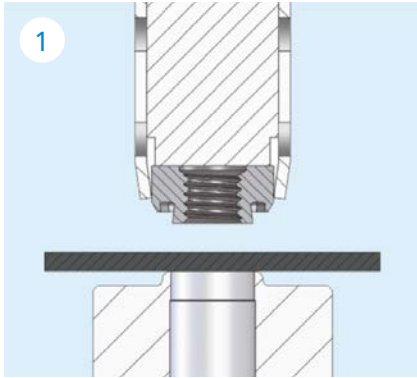
- ⊕ self-piercing
- ⊕ higher torque requirements
- ⊕ high process reliability in fully-automated processing
- ⊕ flush-mounted processing
- ⊕ processing can be manual, semi or fully automated
- ⊕ self-locking thread possible

The advantages over welding:

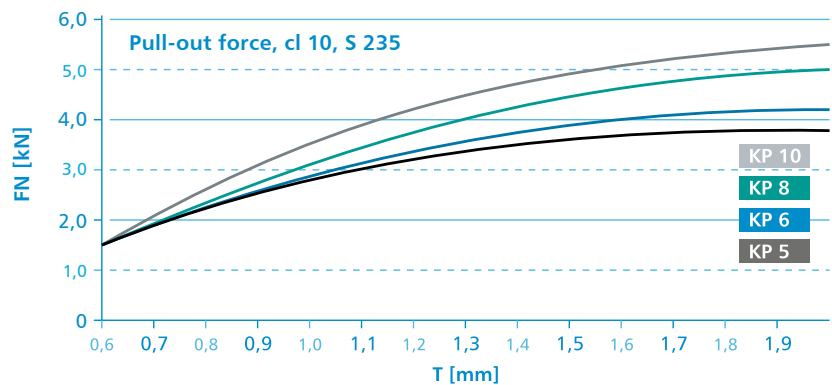
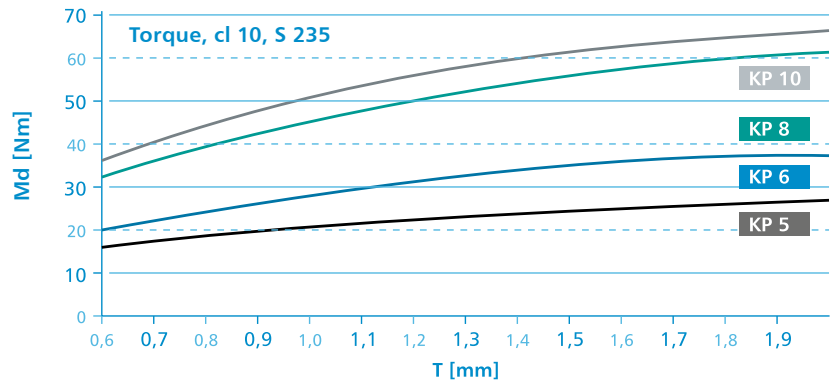
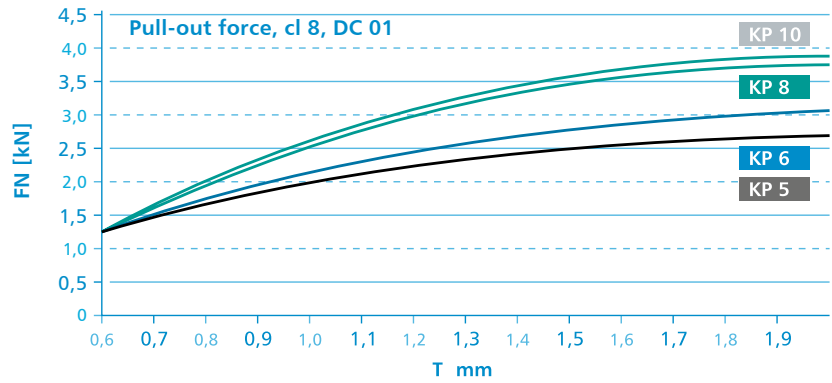
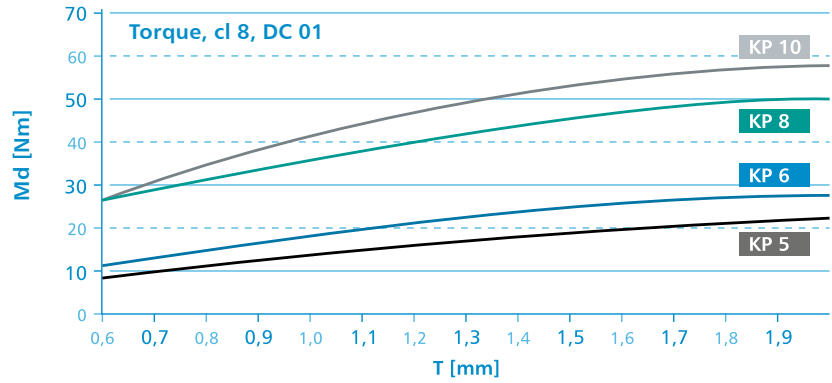
- ⊕ corrosion resistant
- ⊕ no weld spatter on the thread
- ⊕ no thermal weakening at the fastening position

Note: The values stated are examples. The actual values must be determined separately for the application in question.

Function sequence

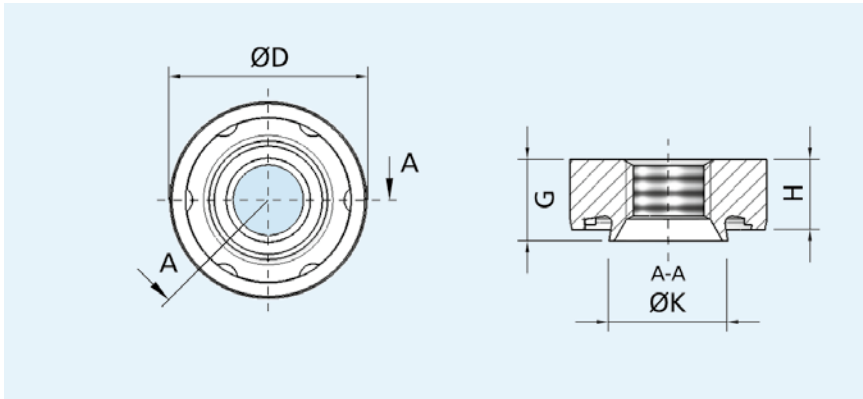


Pull-out and torque values



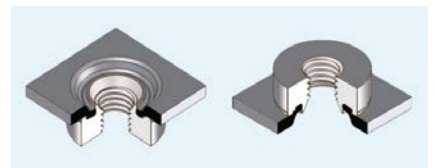
RIVTEX® RXM pierce-clinch nut – the round alternative

Note: Clamping area bigger than 1,75 mm please contact the manufacturer, if a preholed processing is recommended or a Nut could be used directly.



Technical data

Metal thickness	Steel
	0,75 – 2,00 mm
Strength class	Aluminium
	0,75 – 2,50 mm
Strength class	10



RIVTEX® RXM self-clinching nuts dimensions

		ØD	ØK	G	H
	Metal thickness	+ 0.15	±0.1	min.	±0.1
RXM 5	0.75 – 2.00	14.0	8.4	5.8	5.0
RXM 6	0.75 – 2.00	14.0	8.4	5.8	5.0
RXM 6	0.75 – 2.00	18.0	8.4	5.8	5.0
RXM 8	0.75 – 2.00	16.5	10.4	6.9	5.9
RXM 8	0.75 – 2.00	20.3	10.4	6.9	5.9
RXM 10	0.75 – 2.00	18.5	12.4	8.2	7.2

Surface

Thread tolerance

Bright	6 G
Zinc coated transparent	6 H
Zinc / nickel	6 H
Galvanised, thick coat passivated	6 H

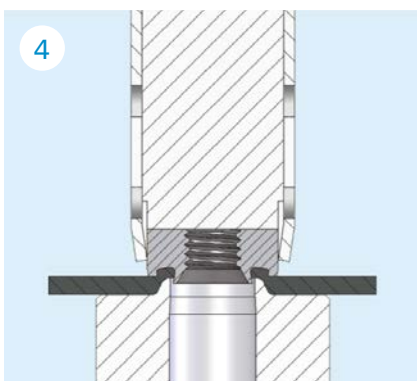
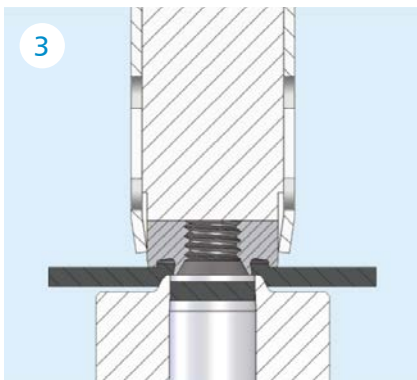
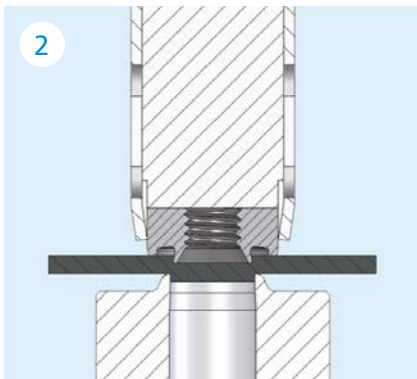
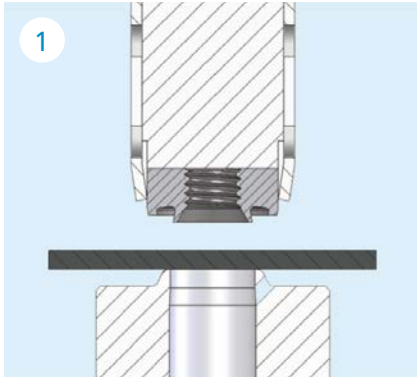
The benefits of RIVTEX® RXM

Pierce-clinch nuts

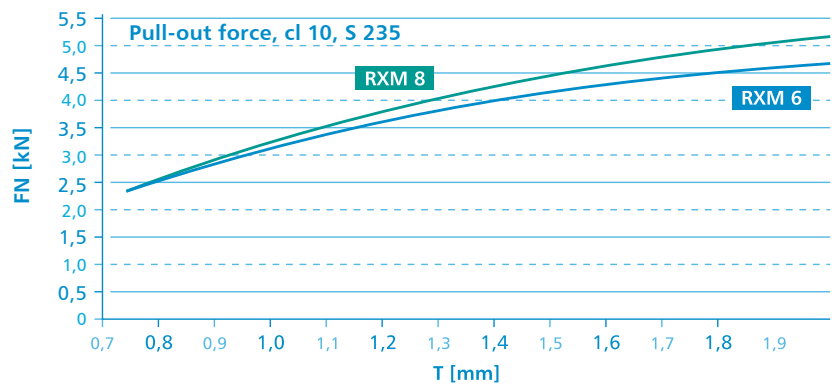
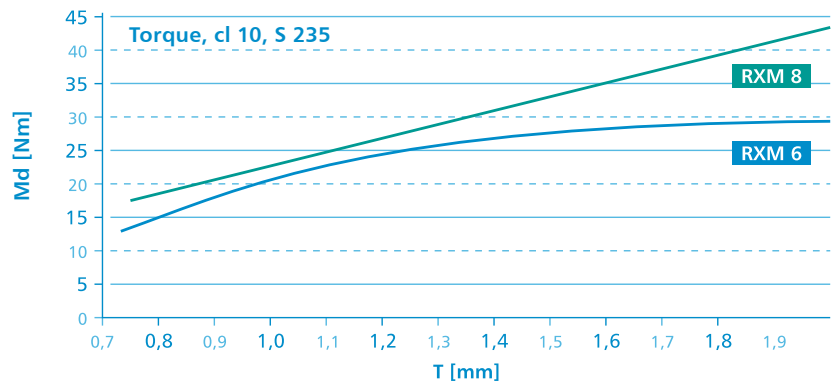
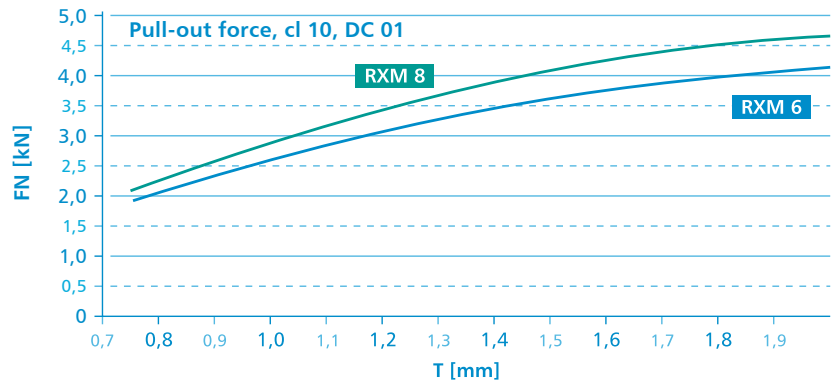
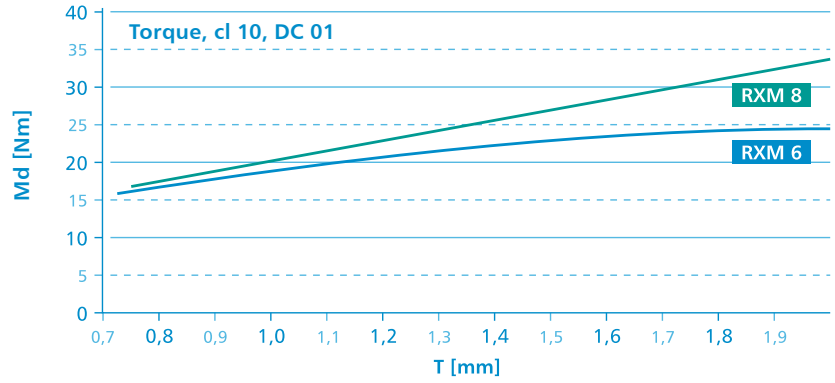
- + self-piercing
- + one nut for all sheet metals from 0.75 mm to 2.0 mm
- + flush-mounted processing
- + very good press-out and torque values
- + self-locking thread possible
- + corrosion resistant
- + no weld spatter on the thread
- + no thermal weakening at the fastening position

Note: The values stated are examples. The actual values must be determined separately for the application in question.

Function sequence

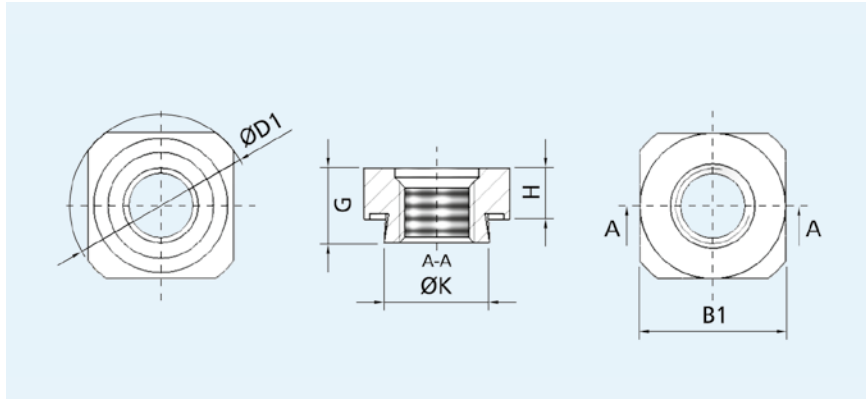


Pull-out and torque values



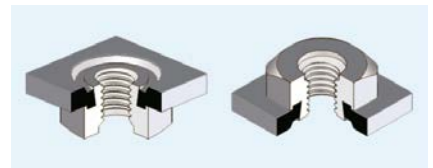
The square pierce-clinch nut for metal thicknesses greater than 2.0 mm

PIAS® HN pierce-clinch nut – the power nut



Technical data

Metal thickness	Steel 2,0 – 4,00 mm
	Aluminium 2,0 – 5,00 mm
Strength class	10



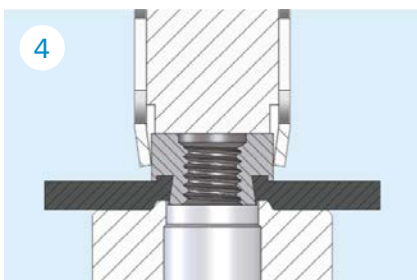
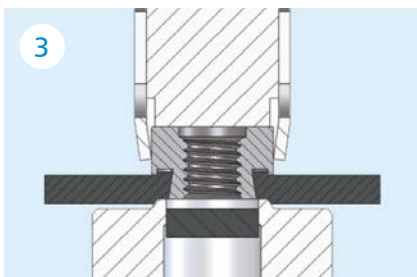
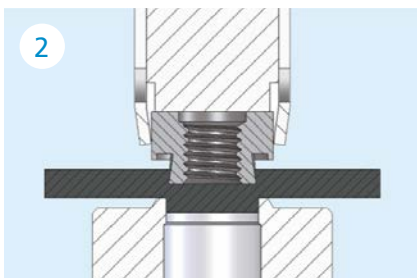
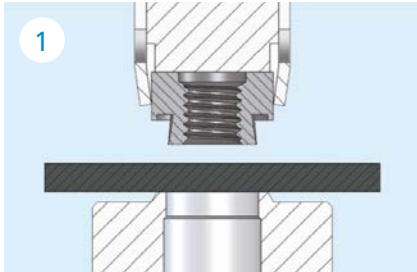
Dimensions for PIAS® HN pierce-clinch nuts

		external dimension $B1 \pm 0.08$	Height Nut body $H \pm 0.1$	Total height G	Diameter Punch collar $K \pm 0.1$	$\varnothing D1$ min.
M5	HN 5L 2.3	11.4 x 11.4	4.50	6.30	8.00	14.40
	HN 5L 2.5			6.50		
	HN 5L 3.0			7.00		
	HN 5L 3.5			7.50		
	HN 5L 4.0			8.50		
M6	HN 6L 2.3	12.72 x 12.72	5.00	6.80	9.20	15.80
	HN 6L 2.5			7.00		
	HN 6L 3.0			7.50		
	HN 6L 3.5			8.00		
	HN 6L 4.0			8.50		
M8	HN 8L 2.3	15.52 x 15.52	5.50	7.30	11.30	19.50
	HN 8L 2.5			7.50		
	HN 8L 3.0			8.00		
	HN 8L 3.5			8.50		
	HN 8L 4.0			9.00		
M10	HN 10L 2.3	16.80 x 16.80	7.50	9.30	13.70	20.80
	HN 10L 2.5			9.50		
	HN 10L 3.0			10.00		
	HN 10L 3.5			10.50		
	HN 10L 4.0			11.00		
$B1 \pm 0.15$						
M12	HN 12L 2,3	18.80 x 18.80	9.00	10.80	15.70	23.60
	HN 12L 2,5			11.00		
	HN 12L 3,0			11.50		
	HN 12L 3,5			12.00		
	HN 12L 4,0			12.50		

Other dimensions available on request.

Note: The values stated are examples. The actual values must be determined separately for the application in question.

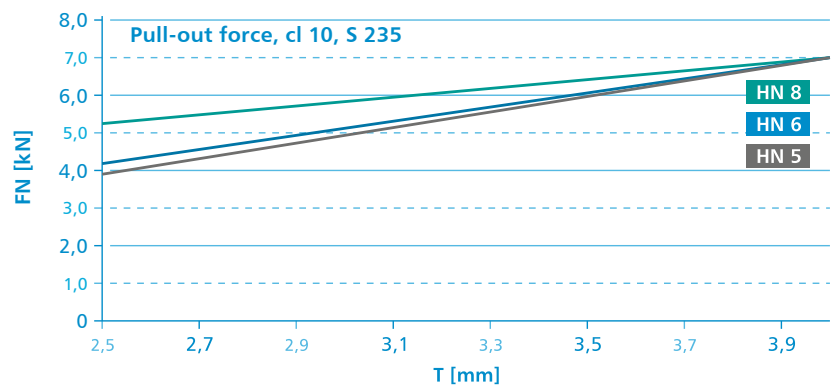
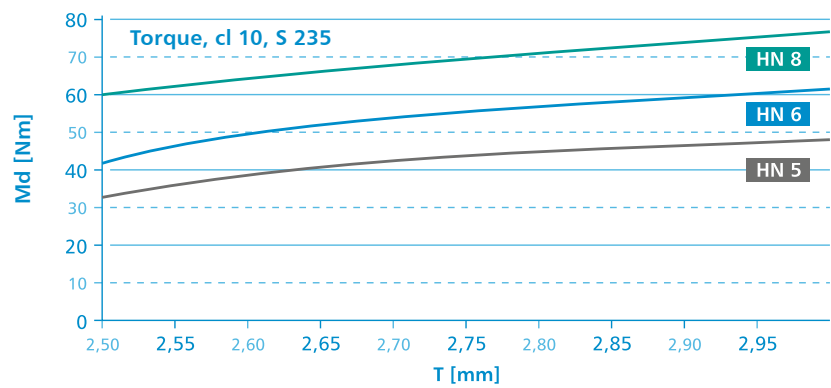
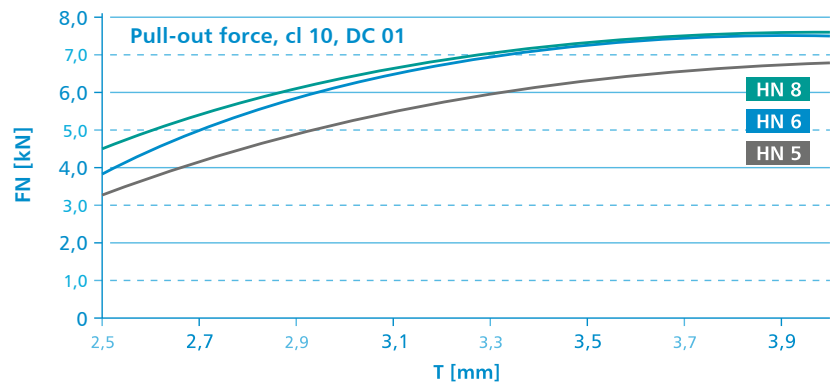
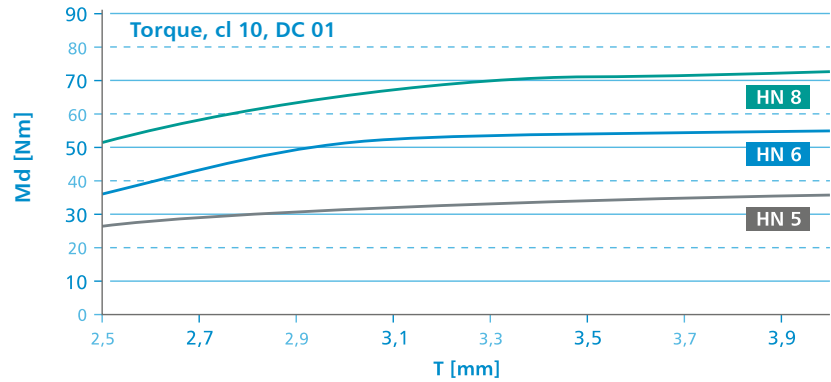
Function sequence



The benefits of PIAS[®] HN pierce-clinch nuts

- ⊕ self-piercing up to 4.0 mm
- ⊕ high mechanical rigidity
- ⊕ high torque
- ⊕ high level of process reliability
- ⊕ self-locking thread possible

Pull-out and torque values



The ARNOLD GROUP

Wherever customers need us.

The ARNOLD GROUP

ARNOLD – this name is internationally renowned for efficient and sustainable fastening systems on the highest level. With a foundation of many years of expertise in the production of intelligent fastening systems and very complex extruded parts, the ARNOLD GROUP has developed over a number of years into a comprehensive supplier and development partner for complex fastening systems. With our positioning of “BlueFastening Systems” this development process will continue under a united and harmonized structure. Engineering, fasteners, and functional parts, together with feeding and processing systems, all from a single source – efficient, sustainable and international.



**ARNOLD
FASTENING SYSTEMS**
Rochester Hills
USA



ARNOLD UMFORMTECHNIK
Ernsbach
Germany



ARNOLD UMFORMTECHNIK
Dörzbach
Germany



**ARNOLD
FASTENERS SHENYANG**
Shenyang
China

**ARNOLD FASTENING
SYSTEMS Inc.**

1873 Rochester Industrial Ct.,
Rochester Hills, MI 48309-3336
USA
T +1 248 997-2000
F +1 248 475-9470

**ARNOLD UMFORMTECHNIK
GmbH & Co. KG**

Carl-Arnold-Straße 25
74670 Forchtenberg-Ernsbach
Germany
T +49 7947 821-0
F +49 7947 821-111

**ARNOLD UMFORMTECHNIK
GmbH & Co. KG**

Max-Planck-Straße 19
74677 Dörzbach
Germany
T +49 7947 821-0
F +49 7947 821-111

**ARNOLD FASTENERS
(SHENYANG) Co., Ltd.**

No. 119-2 Jianshe Road
110122 Shenyang
China
T +86 24887 90633
F +86 24887 90999