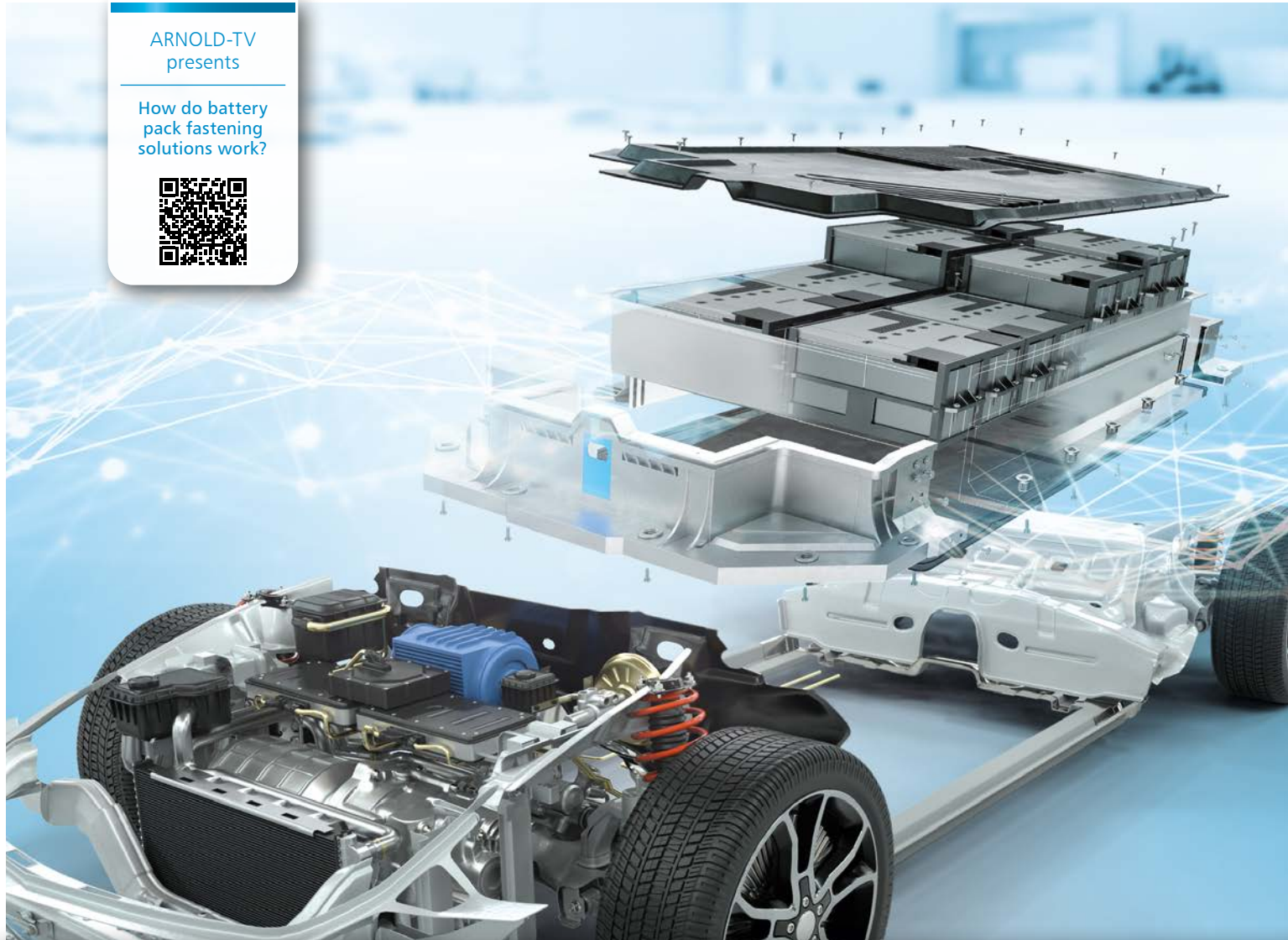


ARNOLD-TV
presents

How do battery
pack fastening
solutions work?

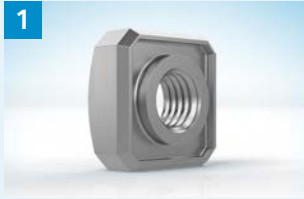


Fastening eMobility

Innovative fastening solutions for battery packs

- ⊕ join without pre-punching
- ⊕ meet strict strength requirements
- ⊕ wide range of mechanical joining procedures
- ⊕ comprehensive services

➔ www.arnold-fastening.com



PIAS® / RIVTEX®
Using PIAS® (square-cut) and RIVTEX® (round) self-clinching nuts you can create a non-detachable sheet metal fastening at optimum cost; suitable for steel and aluminium.
Field of application: Battery frame



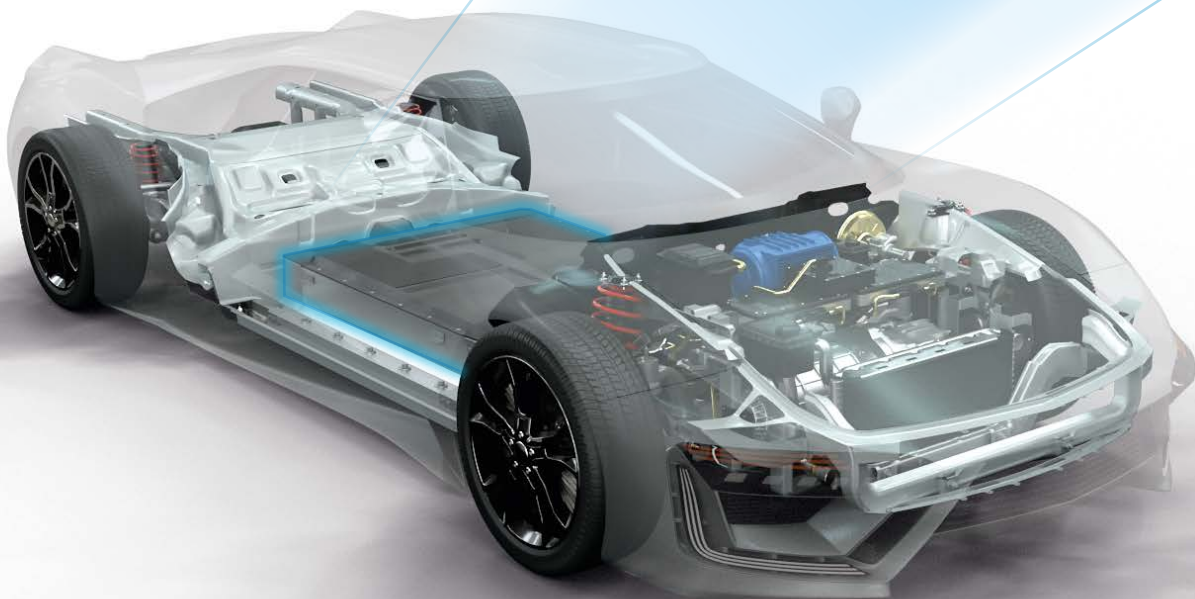
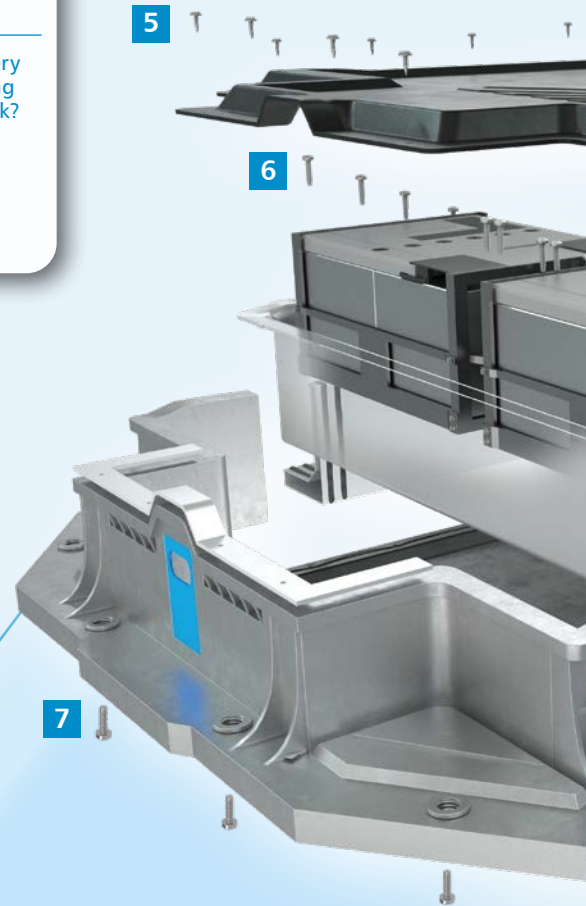
STRUX® / RIVTEX®
Using STRUX® and RIVTEX® press-fit screws you can create a non-detachable sheet metal fastening at optimum cost; suitable for steel and aluminium.
Field of application: Battery frame

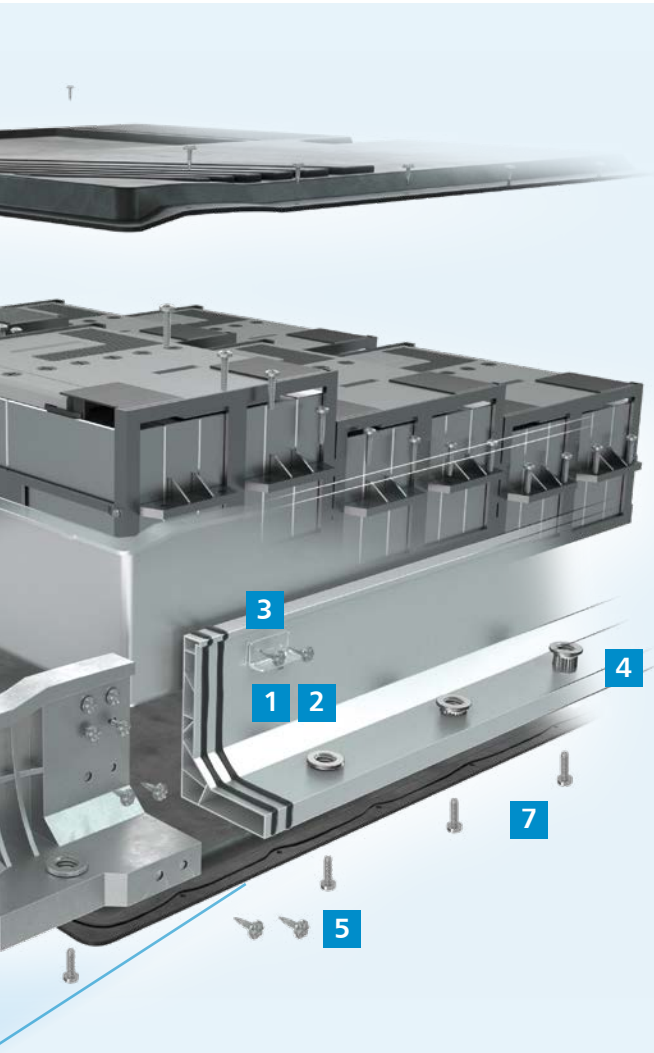
ARNOLD-TV presents

How do battery pack fastening solutions work?



Assembly
Our Assembly Service helps customers by developing and producing ready-to-assemble fastening modules. For example, we can supply brackets with integral functional elements such as PIAS® or RIVTEX® nuts, and STRUX® or RIVTEX® bolts.
Field of application: Battery frame





Eco-Sert[®]

Eco-Sert[®] is the name for aluminium inserts that in practice are mainly used for joining plastics.

Field of application:
Crash frame flange



Flowform[®]

Innovative fastening for sheet metal with no pre-punching using flow-hole forming screws.

Field of application:
Frame structure, underbody protection, battery cover



Powertite[®]

Innovative thread-rolling screw that generates high pull-out forces even at low penetration depths.

Field of application:
Battery modules



Customized metric screws

Metric thread fasteners customised to customers' requirements.

Field of application:
Vehicle chassis

Fastening eMobility: Innovative fastening solutions for battery packs

Electrification in the automotive industry places many new challenges on manufacturers and their suppliers. So ARNOLD offers some innovative joining concepts – for example for battery assembly. ARNOLD's range of expertise ensures a smooth implementation process.



Engineering



Services



Production



System technology



Fasteners



Functional parts

The ARNOLD GROUP

Wherever customers need us.

The ARNOLD GROUP

ARNOLD – this name is internationally renowned for efficient and sustainable fastening systems on the highest level. With a foundation of many years of expertise in the production of intelligent fastening systems and very complex extruded parts, the ARNOLD GROUP has developed over a number of years into a comprehensive supplier and development partner for complex fastening systems. With our positioning of “BlueFastening Systems” this development process will continue under a united and harmonized structure. Engineering, fasteners, and functional parts, together with feeding and processing systems, all from a single source – efficient, sustainable and international.



**ARNOLD
FASTENING SYSTEMS**
Rochester Hills
USA

ARNOLD FASTENING SYSTEMS Inc.

1873 Rochester Industrial Ct.,
Rochester Hills, MI 48309-3336
USA
T +1 248 997-2000
F +1 248 475-9470



ARNOLD UMFORMTECHNIK
Ernsbach
Germany

ARNOLD UMFORMTECHNIK GmbH & Co. KG

Carl-Arnold-Straße 25
74670 Forchtenberg-Ernsbach
Germany
T +49 7947 821-0
F +49 7947 821-111



ARNOLD UMFORMTECHNIK
Dörzbach
Germany

ARNOLD UMFORMTECHNIK GmbH & Co. KG

Max-Planck-Straße 19
74677 Dörzbach
Germany
T +49 7947 821-0
F +49 7947 821-111



**ARNOLD
FASTENERS SHENYANG**
Shenyang
China

ARNOLD FASTENERS (SHENYANG) Co., Ltd.

No. 119-2 Jianshe Road
110122 Shenyang
China
T +86 24887 90633
F +86 24887 90999